

# RADON SWITCH

## 氡控制系统

Model – RANDFAN-SX

### FEATURES: 特点

- DETECTS RADON & AUTOMATES MITIGATION SYSTEM  
检测氡并自动排放系统
- 800 ml ION CHAMBER  
800 ml 电离室
- PROTECTS STAFF & CLIENTS  
保护工作人员与客户
- CONSERVES ENERGY  
节能
- RANGE: 0.1-600 pCi/l (PicoCurries per lLiter)  
量程: 0.1-600 pCi/l (皮居/升)
- UNITS OF MEASURE: pCi/L, OTHERS ARE AVAILABLE  
测量单位 pCi/L, 也可选择其它单位
- COMPUTES TOTAL DAILY DOSE  
计算每日总剂量
- LED DIGITAL READOUT  
LED 数字读数显示
- AC OPERATION WITH BATTERY BACKUP  
AC 电源, 带电池备用电源
- INTERNAL DATA STORAGE , 10 YEARS, NON-VOLATILE  
内置永久数据存储 10 年
- **OPTIONAL: HIGH LEVEL ALARM**  
**可选: 上限报警**
- CONNECTS TO PERSONAL COMPUTER  
连接的奥个人电脑
- USER SELECTABLE SET POINT  
用户选择设定点
- **OPTIONAL: UPS BATTERY BACKUP**  
**可选: UPS 备用电池**
- **OPTIONAL: BACNET COMPATIBLE COMMUNICATIONS**  
**可选: BACNET 通信**
- **OPTIONAL: MULTI AREA RANDFAN-SX SYSTEM**  
**INCLUDES DATA OUPUT WITH TIME & DATE STAMP**  
**选择: 多点 RANDFAN-SX 系统, 包括带时间和日期数据输出**



### TECHNICAL ASSOCIATES OVERHOFF TECHNOLOGY

7051 Eton Ave., Canoga Park, CA 91303  
818-883-7043 (Phone) 818-883-6103 (Fax)

[tagold@nwc.net](mailto:tagold@nwc.net)

[WWW.TECH-ASSOCIATES.COM](http://WWW.TECH-ASSOCIATES.COM)

Divisions of  US NUCLEAR CORP

# RADON SWITCH

## 氡控制系统

### Model – RANDFAN-SX

#### APPLICATION: 应用

The RANDFAN-SX Radon Switch includes a Radon sensor for activation of and/or controls Radon mitigation devices and alert staff. It is a sensitive, rugged, instrument for detection and measurement of airborne radon. The RANDFAN-SX will trigger radon mitigation fans, close or open air vents, and/or alert staff. Inlet and outlet hoses allow monitoring room air or the interiors of fume hoods, exhaust stacks, etc.

RANDFAN-SX Radon Switch 包括氡传感器用来控制/启动排氡系统以警告人员。仪器灵敏、坚固用于检测气溶胶氡。RANDFAN-SX 通过启动排氡扇，开启或关闭通风管并警告工作人员。进气和出气管允许监测室内空气或排风罩，排烟道等。

#### DESCRIPTION: 描述

The RANDFAN-SX Radon operates as a simple stand alone radon sensor controller to activate Radon mitigation fans and devices, fan controller, and alert staff.

RANDFAN-SX 是一款独立氡控制器用来激活排氡扇，排氡扇控制器并警告工作人员

The RANDFAN-SX will measure airborne radon as free Radon gas (with or without Radon Daughters at user's option) below 1 pCi/l. All data is stored.

RANDFAN-SX 测量低于 1 pCi/l 浓度气溶胶氡（用户选择是否带氡子体），所有数据进行存储

- VERIFIES NEED FOR RADON MITIGATION DEVICES  
满足排氡设备启动验证需要
- WIDE RANGE - DIGITAL ACCURACY  
宽量程-数字精确
- SENSITIVE FOR OCCUPATIONAL EXPOSURE  
对职业辐射灵敏
- FLASHING LED FOR EACH RADON PULSE-**OPTIONAL** AUDIO SIGNAL  
每个氡脉冲闪烁一次红灯-可选声音信号
- COMPUTER INTERFACE – NETWORK CAPABLE, WIFI AND LAN  
电脑接口-联网，WIFI 及 LAN 连接功能

All instruments calibrated by accredited lab. User friendly calibration software is provided.  
所有设备由资质实验室校准，提供用户友好校准软件



### **TECHNICAL ASSOCIATES OVERHOFF TECHNOLOGY**

7051 Eton Ave., Canoga Park, CA 91303  
818-883-7043 (Phone) 818-883-6103 (Fax)

[tagold@nwc.net](mailto:tagold@nwc.net)

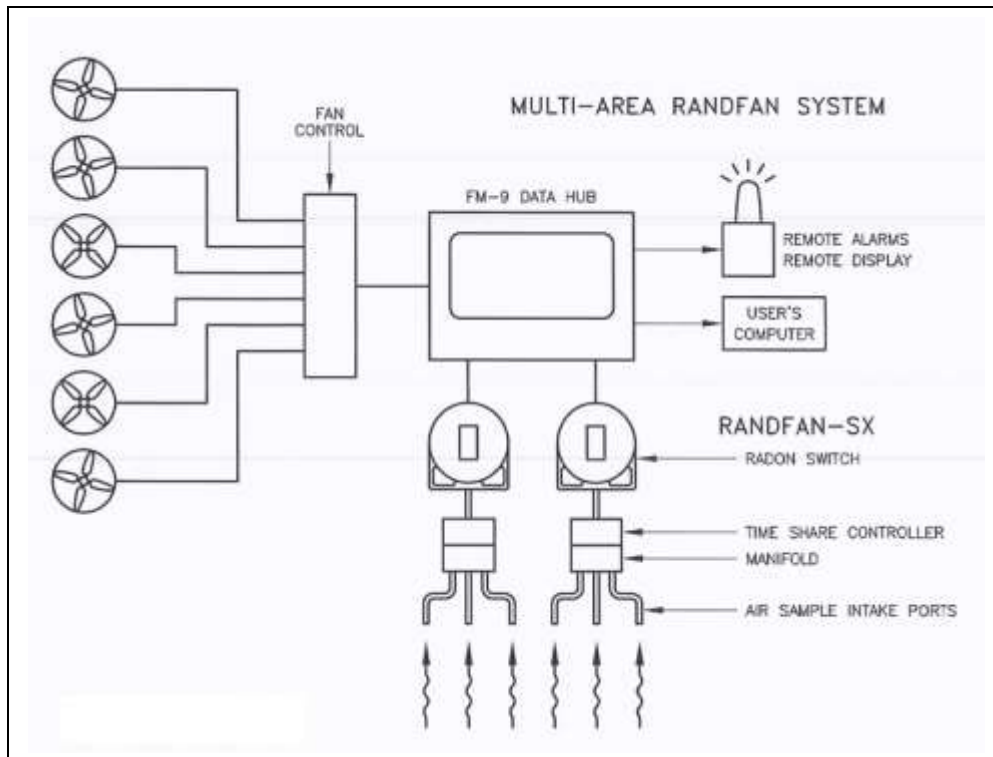
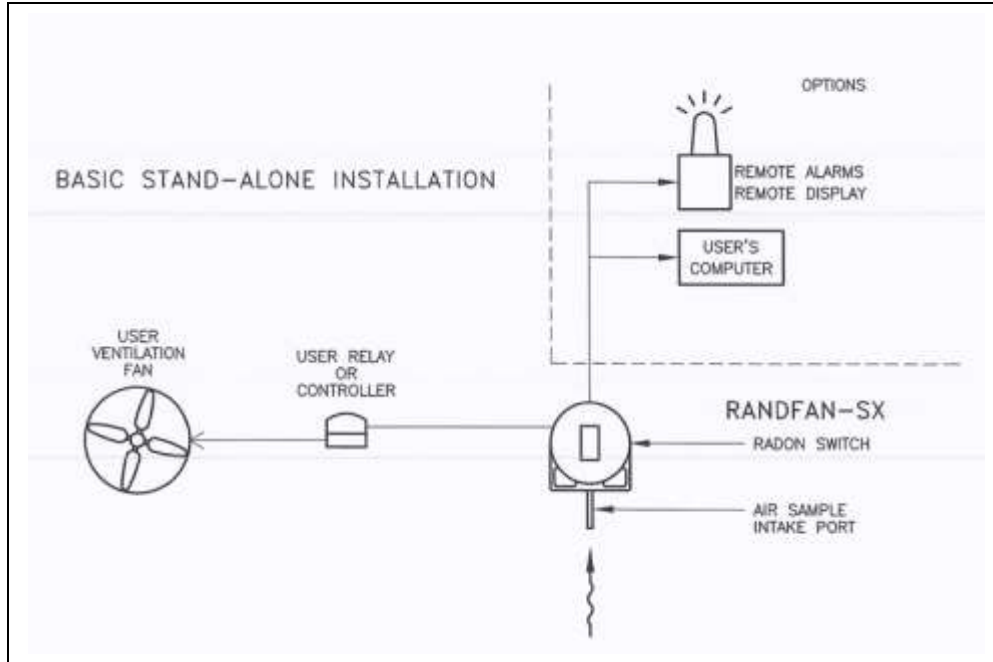
[WWW.TECH-ASSOCIATES.COM](http://WWW.TECH-ASSOCIATES.COM)

Divisions of  US NUCLEAR CORP

# RADON SWITCH

## 氡控制系统

Model – RANDFAN-SX



**TECHNICAL ASSOCIATES  
OVERHOFF TECHNOLOGY**

7051 Eton Ave., Canoga Park, CA 91303  
818-883-7043 (Phone) 818-883-6103 (Fax)

[tagold@nwc.net](mailto:tagold@nwc.net)

[WWW.TECH-ASSOCIATES.COM](http://WWW.TECH-ASSOCIATES.COM)

Divisions of



US NUCLEAR CORP

# RADON SWITCH

## 氡控制系统

### Model – RANDFAN-SX

#### SPECIFICATIONS:

- **Measurement Range:** 量程:  
Large, easy to read 4-digit LED readout. 0.1 to 600 pCi/l  
易读大 LED4 位数字读数显示, 0.1 - 600 pCi/L
- **Smoke, Dust and Ion Elimination:** 烟尘、离子去除:  
Filter and deionizer reduce effects to negligible level.  
过滤器和去离子器将此影响减到可以忽略的水平
- **Detector:** 探测器:  
800 ml Ion Chamber  
800 ml 电离室
- **Circuit:** 电路:  
Patented Overhoff Electrometer  
专利 Overhoff 静电计
- **Alarm:** 报警:  
Low Air Flow  
低气流
- **Tamper Proof Panel Controls:** 防篡改前板控制:  
Protected Alarm Set Button  
带保护报警设定钮
- **Calibration:** 校准:  
Calibration with radon gas  
氡气校准
- **Computer Port:** 电脑接口:  
LAN and Wi-Fi
- **Housing:** 外壳:  
Rugged steel wall-mount, weather-proof (NEMA 12 rated)  
坚固钢外壳, 壁装式, 全天候
- **Data Output:** 数据输出:  
**WIN-W:** Win-Wedge data logging software for users PC  
Data is non-volatile  
WIN-W: 数据录入软件用于用户电脑, 数据独立存储

#### MULTI-AREA RANDFAN-SX SYSTEM:

- 2 or More RANDFAN-SX  
2 台或更多 RANDFAN-SX
- FM-9W Data Hub  
FM-9W 数据系统
- Fan Controller  
风扇控制器

#### OPTIONS: 选项

Multi-Inlet 多进气口



### TECHNICAL ASSOCIATES OVERHOFF TECHNOLOGY

7051 Eton Ave., Canoga Park, CA 91303  
818-883-7043 (Phone) 818-883-6103 (Fax)

[tagold@nwc.net](mailto:tagold@nwc.net)

[WWW.TECH-ASSOCIATES.COM](http://WWW.TECH-ASSOCIATES.COM)

Divisions of  US NUCLEAR CORP

# RADON SWITCH

## 氡控制系统

### Model – RANDFAN-SX

- Manifold With Time Share Controller 带时间控制的电磁阀
- Remote Display 远程显示

#### DIMENSIONS: 尺寸

- **Wall Mount Enclosure:** 16" L x 12" W x 5" H  
壁式外壳:
- **Weight:** 15 lbs  
重量:

#### POWER: 尺寸

- **AC Power Only:** 120VAC or 240VAC  
AC 电源:
- **Battery Backup:** UPS (Uninterrupted Power Supply).  
备用电池: 不间断电源

#### OPTIONS: 选项:

- **Alarm:** High Level: Visual & Audible Indicators  
**RAL-3A:** Remote Alarm (audible & visual), includes 25 ft. of cable. (Optional Cable length to suit, up to 500 ft)  
报警: 上限报警: 声光报警指示; RAL-3A 远程声光报警, 包括 25 尺线缆
- **Detector:** **HTR-7:** Heated Ion Chamber  
探测器: 加热电离室
- **DATA OUTPUT:** **BACNET** compatible communications  
数据读出: BACNET 兼容通信
- **MULTI AREA RANDFAN-SX SYSTEM INCLUDES DATA OUPUT WITH TIME & DATE STAMP**  
多区域系统包括带时间和日期的数据输出



### TECHNICAL ASSOCIATES OVERHOFF TECHNOLOGY

7051 Eton Ave., Canoga Park, CA 91303  
818-883-7043 (Phone) 818-883-6103 (Fax)

[tagold@nwc.net](mailto:tagold@nwc.net)

[WWW.TECH-ASSOCIATES.COM](http://WWW.TECH-ASSOCIATES.COM)

Divisions of



US NUCLEAR CORP