

HIGH PRESSURE SPHERICAL GAMMA IONIZATION CHAMBER

高压球形伽马电离室

Model ~ IC-512

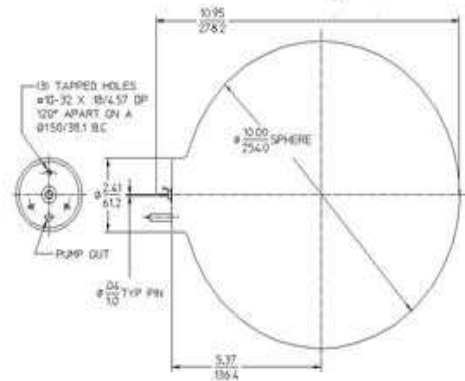
FEATURES: 特点

- COUPLES WITH TA'S FIL-7DP 用于TA型号FIL-7DP系统中
- FOR USE IN ENVIRONMENTAL MONITORING STATIONS (RSS-131) 用于环境伽马监测站

GENERAL SPECIFICATIONS:

规格

Maximum Diameter:	10.0 / 254.0 (inch / mm)
最大直径:	
Maximum Length:	11.25 / 285.75 (inch / mm)
最大长度:	
Effective Length:	9.76 / 247.9 (inch / mm)
有效长度:	
Cathode Material:	Stainless Steel
负极材料:	不锈钢
Fill Gas:	Argon
充气:	氩气
Fill Pressure:	20,460 (Torr)
压力:	
Anode Connector:	Pin
中间收集极:	针
Cathode Connector:	N/A
负极收集:	不适用
Guard Connector:	Solder Lug
连接保护:	焊片
Effective Volume:	8000 (cm ³)
有效面积:	



OPERATING CHARACTERISTICS: 工作特点

Maximum Operating Voltage:	最大电压: 1000 V
Operating Temperature:	操作温度: Range -50°C to +100°C
Gamma Sensitivity:	伽马灵敏度: 2.7E-14 (A/R/Hr - Co ⁶⁰)
Resistance Signal Electrode:	电阻信号电极: to Shell (ohms) >1.0E13
Resistance HV Electrode:	电阻高压电极: to Shell (ohms) >1.0E10



TECHNICAL ASSOCIATES
OVERHOFF TECHNOLOGY

Divisions of



US NUCLEAR CORP

7051 Eton Ave., Canoga Park, CA 91303
818-883-7043 (Phone) 818-883-6103 (Fax)

tagold@nwc.net

WWW.TECH-ASSOCIATES.COM