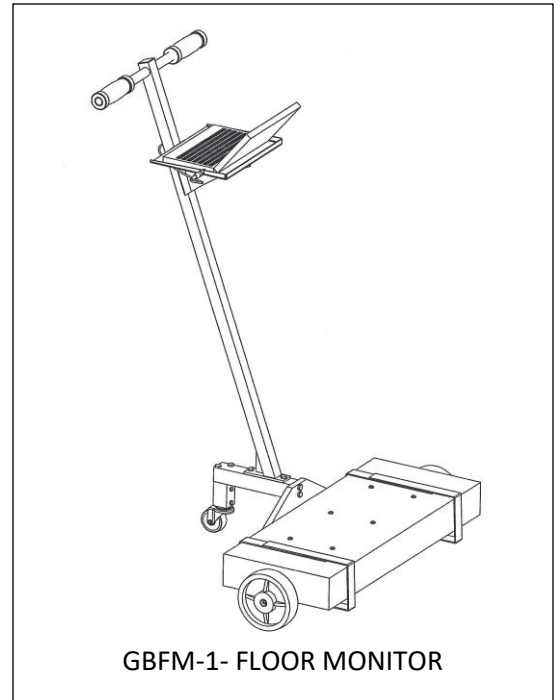


# FLOOR MONITOR ~ GAMMA AND BETA

Model ~ GBFM 1

## FEATURES:

- GBFM-1 –DETECTORS  
GAMMA and BETA SCINTILLATION SHEET
- LARGE FACE 500 square inches (3,225 square cm)
- POWER: RECHARGEABLE BATTERY AND CHARGER
- FAST AND SENSITIVE
- (3) WHEELED WITH ADJUSTABLE HEIGHT
- ELECTRONICS : LAPTOP COMPUTER, SOFTWARE, AND DISPLAY
- USB PORT
- DIGITAL BACKLIT READOUT
- ALARMS: AUDIO AND VISUAL
- RUGGED, EASY DECONTAMINATION



## APPLICATION:

Nuclear or other Power generation facilities where radioactive materials may be present.

Floors of industries utilizing radioactive materials.

Research Laboratories, Radiopharmacies, Medical Facilities.

Evaluate potentially radioactive spills.

## DESCRIPTION:

The **GBFM-1** Beta and Gamma Floor Monitor utilize-Beta-Gamma sensitive detectors coupled to a computer tablet with software electronics with backlight.

- The very large face detector (500 square inches -3,225 square cm) achieves the fastest most sensitive floor monitoring system currently available.
- The detector is mounted on (3) adjustable height wheels for ease of maneuverability.
- The electronics are a laptop mounted near the top of the handle.
- Power: Rechargeable batteries and Charger. Charger Power: 220 AC and 380 AC
- Suitable for smooth floors or rough surfaces such as parking lots, roads, driveways.



TECHNICAL ASSOCIATES

7051 ETON AVENUE, CANOGA PARK, CALIFORNIA 91303

PHONE: 818-883-7043 | FAX: 818-883-6103

SALES@TECH-ASSOCIATES.COM | TECH-ASSOCIATES.COM | USNUCLEARCORP.COM

DIVISION OF



USNUCLEARCORP

OTCQB-UCLC

# FLOOR MONITOR ~ GAMMA AND BETA

Model ~ GBFM 1

## SPECIFICATIONS:

<b>Data Output:</b>	Laptop Electronics With Software and USB port.
<b>Alarm:</b>	Audio / Visual, Low Battery Warning
<b>Temperature:</b>	-10 C° to 40° C
<b>Power:</b>	Rechargeable batteries and Charger. Charger Power: 220 AC and 380 AC
<b>Battery Life:</b>	Rechargeable Batteries (200 hours).
<b>Construction:</b>	All plug-in circuit cards, essentially no wires. Rugged, lightweight
<b>Dimensions:</b>	46" L x , 3"H x 14"W excluding handle.
<b>Menu:</b>	Tested key nuclides – user created
<b>Options:</b>	RS-232 serial port Other connectors - MHV etc

## GBFM-1 Gamma and Beta Floor Monitor:

- **Detector Details:** (1) Premium Plastic Scintillation Sheet with a wide temperature range  
12"W x 1.5"H x 44"L. (30.4 cm x 3 cm x 112 cm)
- **Volume:** 792 in<sup>3</sup> (12978 cm<sup>3</sup>)
- **Surface Area:** 500 in<sup>2</sup> (3,225 cm<sup>2</sup>)
- **Sensitivity:** Easily Detects 1 µCi of Cs-137 or Co-60 and below anywhere within scanner floor area.  
Background up to 1 mR/hr.
- **Read Out:** cps, Bq/cm<sup>2</sup>, Bq – User Settable  
Gamma and Beta – Sum of counts
- **Detector Height:** Adjustable height above floor – 5 to 35 mm
- **Weight:** Approximately 12 pounds (5.4 kg)
- **Physical Features:** Convenient handle  
Three ball bearing wheels including swivel rear wheel for pivot ease

**Options:** Other scintillator surface areas available.  
Larger diameter wheels for extra rough ground

**Calibration:** Check sources locally sourced

**See Manual:** User sets calibration factor based on distance between the ground and the detector

**Calibration Menu:** User creates calibration menu based on tested key nuclides



TECHNICAL ASSOCIATES

7051 ETON AVENUE, CANOGA PARK, CALIFORNIA 91303

PHONE: 818-883-7043 | FAX: 818-883-6103

SALES@TECH-ASSOCIATES.COM | TECH-ASSOCIATES.COM | USNUCLEARCORP.COM

DIVISION OF



USNUCLEARCORP

OTCOB-UCLC